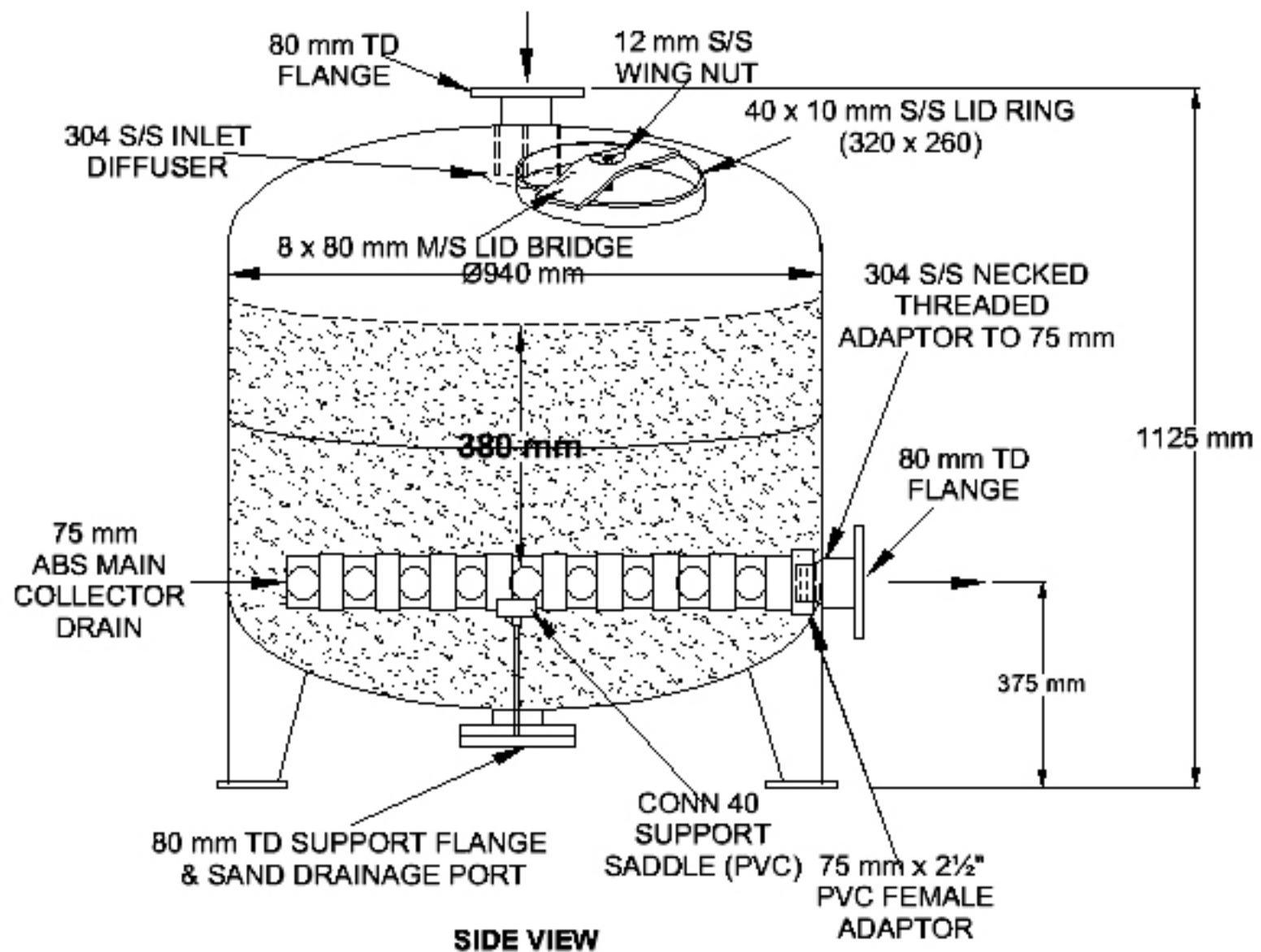


CONN 40 VERTIN SANDFILTER

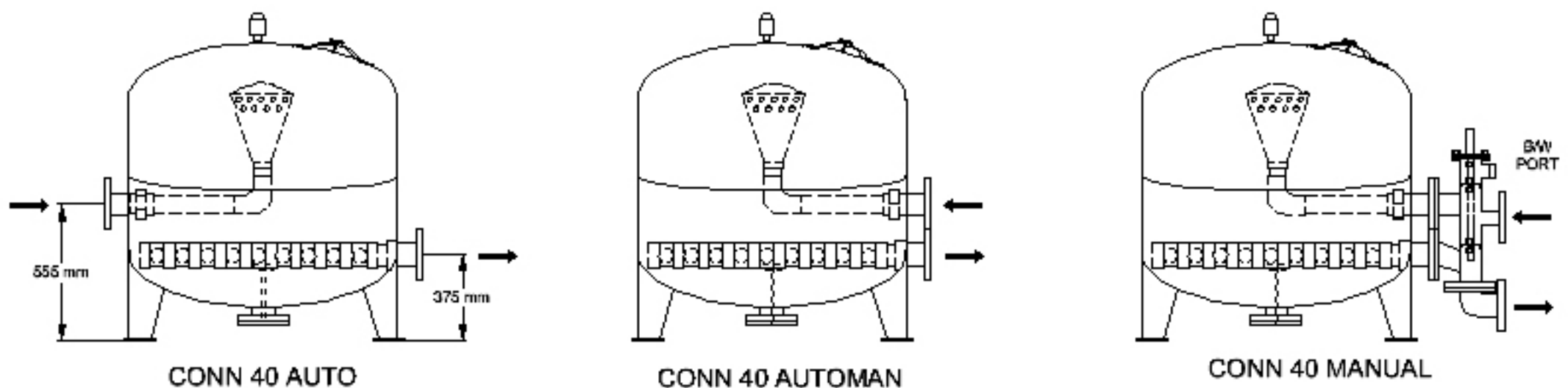
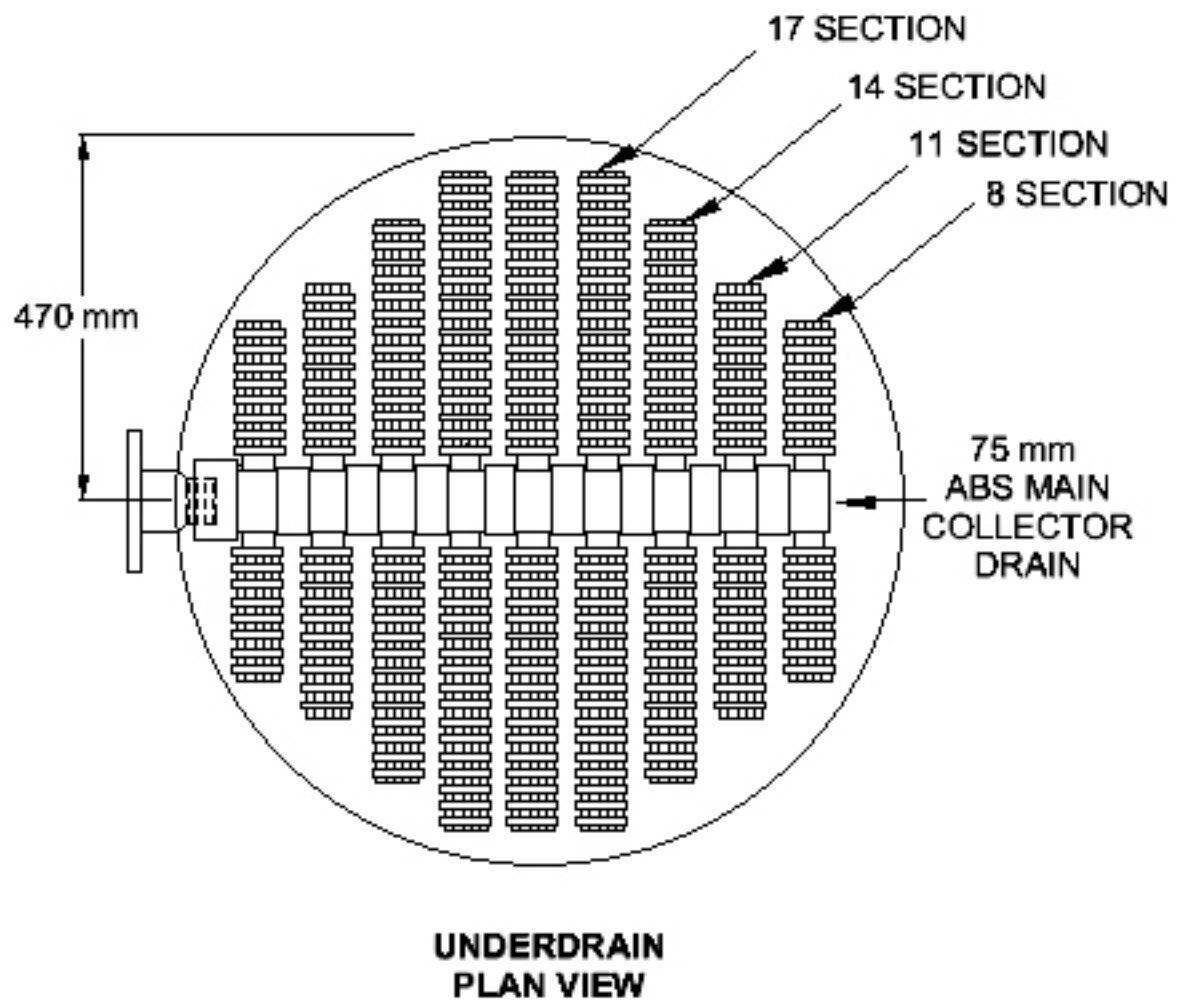
RECOMMENDED FLOW RATE 25 - 35 m³/hr



FOR SUPERIOR LONG LIFE OF CONN 40, CONNS USES 304 S/S ON:
 (i) LID LOCKING RING
 (ii) THREADED OUTLET ADAPTOR
 (iii) INLET DISHED DIFFUSER
 (iii) THREADED ROD AND WING NUT ON LID

NOTE:
 CONN 40 TANK Ø = 940 mm (0,7 m²)
 BED DEPTH = 380 mm
 IN / OUTLET = 80 mm TD
 BAGS SAND REQUIRED = 10 BAGS (40 kg)
 VOLUMETRIC MASS = 180 kg

COATING SPEC:
 INTERNAL: 450 - 500 MICRON INTERNAL, PURE EPOXY RED OXIDE, HEAT CURED, ANTI-CORROSIVE INTERNAL PIPE COATING
 EXTERNAL: 200 - 250 MICRON PURE POLYESTER U.V RESISTANCE COATING



OTHER CONN 40 CONFIGURATIONS